

Specification & Performance

- Pressure Range: from 0...100 kPa to 0...15000psi;
- 1.5", 2", 2.5", 4" dial sizes are available
- Laser welded between case and socket
- StabilizR movements are available;



Application

- HVAC
- Petrochemical
- OEM
- Hydraulic station and system

Specification

Dial Size	1.5", 2", 2.5", 4"		
Accuracy(25°C)	1.5" and 2"	2.5" and 4"	
	2.5% of F.S	1.6% of F.S	
Case material	304SS		
Element material	Brass or 316SS		
Wetted part	Brass or 316SS		
Pointer material	Aluminum painted black		
Dial scale	Aluminum painted white with black word		
Window material	PC		
Temperature	Ambient temperature	Medium temperature	Storage temperature
	-20...70 °C	-40...150 °C (dry) -40...70 °C (filled)	-20...70 °C
Pressure limitation(barss)	Steady: 75%FS;	Fluctuating: 65%FS;	Short time: 100%FS
Pressure limitation(SS)	Pressure range≤600bar	Pressure range>600bar	
	Steady: 100%FS Fluctuatin: 90%FS Short time: 130%FS	Steady: 75%FS Fluctuation: 65%FS Short time: 100%FS	
IP protection	IP65 EN 60529		
Thermal drift	Max ±0.04% F.S/°C refer at 25 °C		
Standard unit	Single scale: MPa, kPa, bar, kg/cm ² , psi Dual scale: bar/psi, kg/cm ² /psi, MPa/psi, kpa/psi Others please contact with us		

Pressure Range

Standard range :

bar , bar/psi	MPa, MPa/psi	kPa, kPa/psi	psi, psi/bar , psi/MPa , psi/kPa
-1-0	-0.1-0	-100-0	-30" Hg-0
-1-0.6	-0.1-0.06	-100-60	-30" Hg-0-15
-1-1.5	-0.1-0.15	-100-150	-30" Hg-0-30
-1-3	-0.1-0.3	-100-300	-30" Hg-0-60
-1-5	-0.1-0.5	-100-500	-30" Hg-0-100
-1-9	-0.1-0.9	-100-900	-30" Hg-0-150
-1-15	-0.1-1.5	-100-1500	-30" Hg-0-300
-1-24	-0.1-2.4	-100-2400	0-15
0-1	0-0.1	0-100	0-30
0-1.6	0-0.16	0-160	0-60
0-2.5	0-0.25	0-250	0-100
0-4	0-0.4	0-400	0-160
0-6	0-0.6	0-600	0-200
0-10	0-1	0-1000	0-300
0-16	0-1.6	0-1600	0-600
0-25	0-2.5	0-2500	0-800
0-40	0-4	0-4000	0-1000
0-60	0-6	0-6000	0-1500
0-100	0-10	0-10000	0-2000
0-160	0-16	0-16000	0-3000
0-250	0-25	0-25000	0-4000
0-400	0-40	0-40000	0-5000
0-600	0-60	0-60000	0-6000
0-1000	0-100		0-10000
			0-15000

Available range:

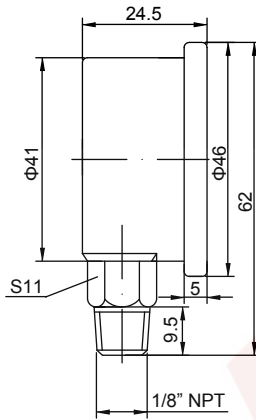
	1.5" dial		2" dial	
	Brass wetted parts	SS wetted parts	Brass wetted parts	SS wetted parts
Min	0...30 psi	0...15 psi	-1 ... 0 or 0 ... 1 bar	-1 ... 0 or 0 ... 1 bar
Max	0...400 bar	0... 400 bar	0...400 bar	0...400 bar

	2.5" dial		4" dial	
	铜合金接液	SS wetted parts	Brass wetted parts	SS wetted parts
Min	Brass wetted parts	-1 ... 0 or 0 ... 1 bar	-1 ... 0 or 0 ... 1 bar	-1 ... 0 or 0 ... 1 bar
Max	0...600 bar	0... 15000psi	0... 600 bar	0... 15000psi

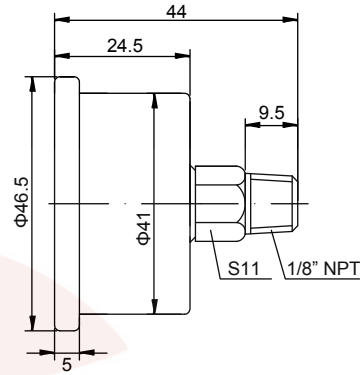
PFQ Pressure Gauge

Dimension (mm)

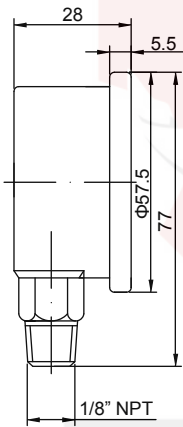
1.5"(40mm) Bottom



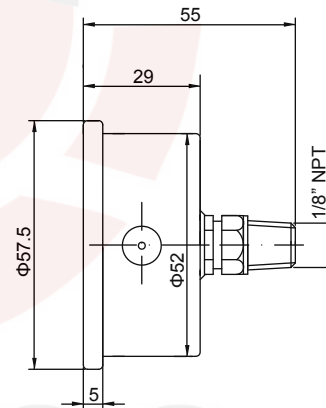
1.5"(40mm) Back



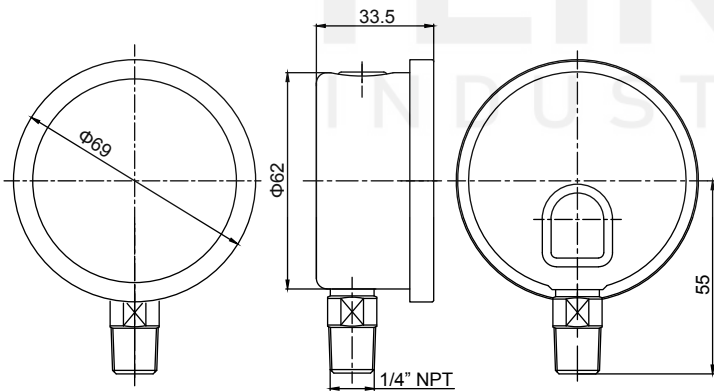
2.0"(50mm) Bottom



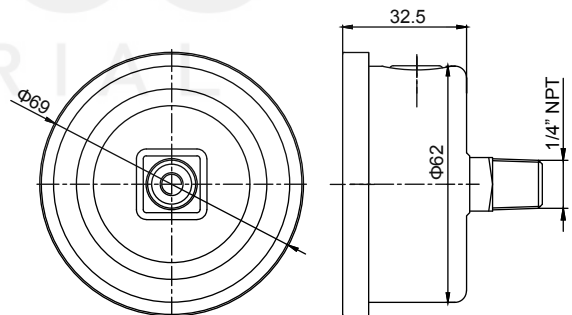
2.0"(50mm) Back



2.5"(63mm) Bottom

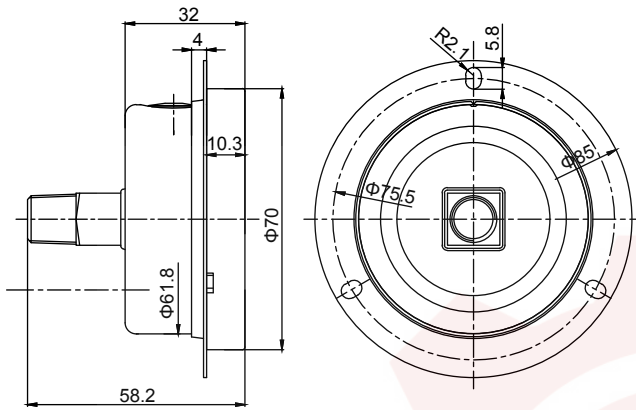


2.5"(63mm) Back

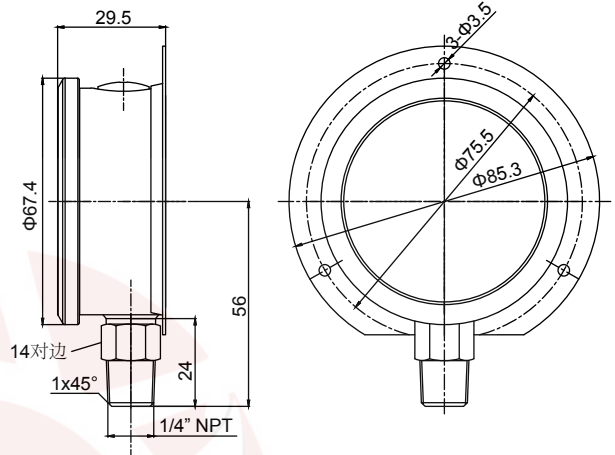


Dimension (mm)

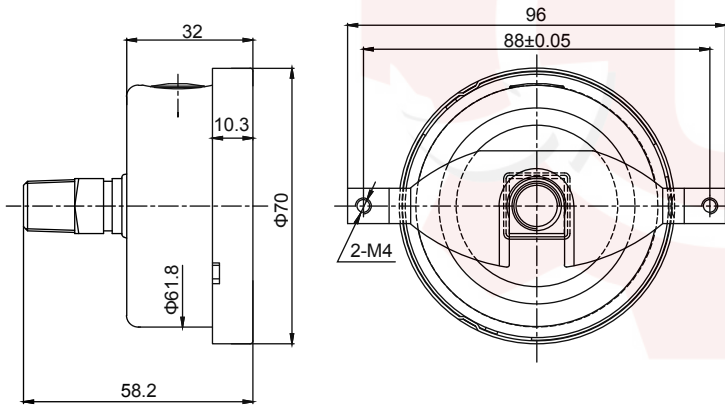
2.5"(63mm) bottom with front flange



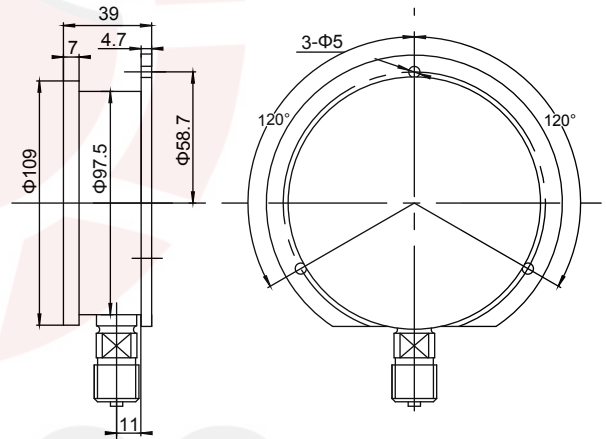
2.5"(63mm) back with back flange



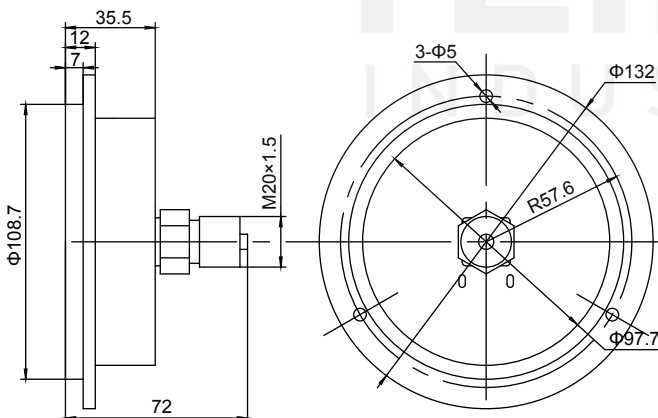
2.5"(63mm) back with U-clamp



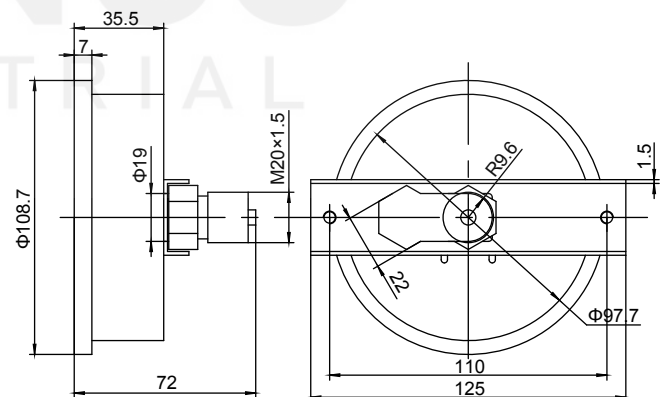
4.0"(100mm) bottom with back flange



4.0"(100mm) back with front flange



4.0"(100mm) back with U-clamp



PFQ ordering code

	Code	Specification
		Series
1.	<input type="text"/>	PFQ Standard movement
		PFQ-ZR StabilizR movement(Not available for 40mm or 50mm)
		Dial size
2.	<input type="text"/>	15 40mm
		20 50mm
		25 63mm
		40 100mm
		Case material
3.	<input type="text"/>	T 304SS
		Wetted parts
4.	<input type="text"/>	B Brass
		S 316SS
		Type of mounting
5.	<input type="text"/>	A Bottom
		B Bottom with back flange
		D Back
		F Back/lower back with front flange
		G Back/lower back with U-clamp
		H Back/lower back with front flange and U-clamp
		Connection size
6.	<input type="text"/>	8 1/8"
		4 1/4"
		3 3/8"
		2 1/2"
		Z M20
		Thread Type
7.	<input type="text"/>	N NPT
		B G
		T R
		M M20*1.5
		Pressure range
8.	<input type="text"/> Please enter range according with standard range
		Option
9.	<input type="text"/>	SE Filled with glycerin
		SD Filled with silicone
		SA Safety glass(Not available for 1.5" or 2")
		TG SS tag plate