

Pullcord switch LHwa-25/4

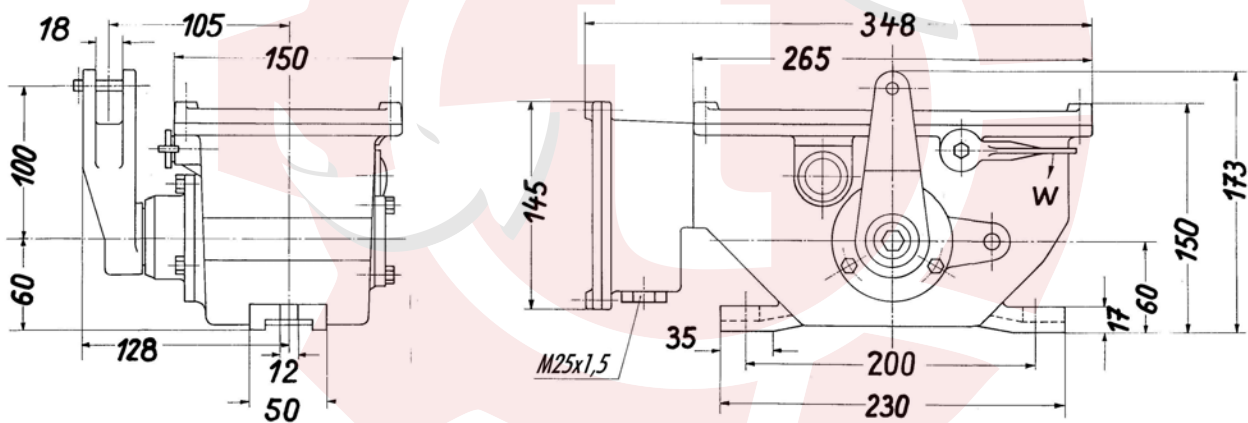
The switch is being provided for double-sided equipment and actuation with pullcords, whereby each length should not exceed 75 m.

Malstops being provoked by vibrations within the pull rope or unwanted physical influences to the pull rope (falling solids onto the pullcord) are extremely unlikely due to the large rope travel (35 mm, longitudinally drawn) and the large rope force (75 N) necessary for the actuation.

The switch enclosure is made of most stable impact resistant cast-iron. It is a water- and dust protected enclosure IP 66.

Guarantee for a long working life and reliability are such invisible details as sealing rings which are protecting all shafts guided out of the housing, shafts made of stainless VA-steel, screws made of stainless VA-steel, loss-protected housing cover screws etc. .

Dimensions



Technical Data

conforms to standards	DIN EN 60947 / EN 0418 / UVV-VBG10
rope travel for actuation	35 mm
rope force for actuation	75 N
thread of cable gland	1 x M 25x1,5
contacts	2 NO contacts and 2 NC contacts
current rates	230VAC 5,5kW / 380VAC 9,5kW / 500V 12,5kW
protection	IP 66
housing material	cast-iron
housing colours	yellow RAL 1003 or red RAL 3000
weight	15 kg
fixing	2 slotted holes for M10-screws
installation position	any
operating temperature	-40°C up to +85°C
storing temperatur	-50°C up to +85°C

Order number LHwa-25/4