

PF-EG

stainless steel housing liquid filtration



ultra.filter PF-EG

■ The PF-EG stainless steel housing was developed for purification of beverages, such as beer, softdrinks, mineral water as well as product water for many applications.

■ PF-EG housings are first choice in critical applications in sterile filtration.

Features and advantages

- 12 different sizes for operating volumes from 3 to 600 l/min.
- Complies to the requirements of the European directive 97/23/EG for pressure vessels.
- Bajonet-connection guarantees that the elements remain safely fixed at all times.
- Different element sizes can be installed due to the modular design.
- DN 40 clamp connection at housing top

Applications

- Chemical Industry
- Aseptic packing
- Pharmaceutical Industry
- Biotechnology
- Cosmetics Industry
- Breweries
- Dairies
- food and beverages
- Water treatment systems
- Fermentation processes



III TRAFIL

PF-EG stainless steel housing

Materials:	
Filter housing	stainless steel 1.4404 (316L)
Housing gasket	EPDM (other gasket upon request)

Surface finish:	
Inner and outer: 0012 – 0600	etched and passivated
Superplus version: 0003 – 0600	electropolished R _a 0,8

Maximum operating pressure:	
For liquids	10 bar at 50°C
For saturated steam	3,7 bar at 150°C
Type 0600:	3 bar at 144°C

Connection types:	
Milkpipe acc. to DIN 11851	standard
Inlet	coupling nut and liner connection
Outlet:	male thread connection
Welded ends Other connections and bigger housings, in request	

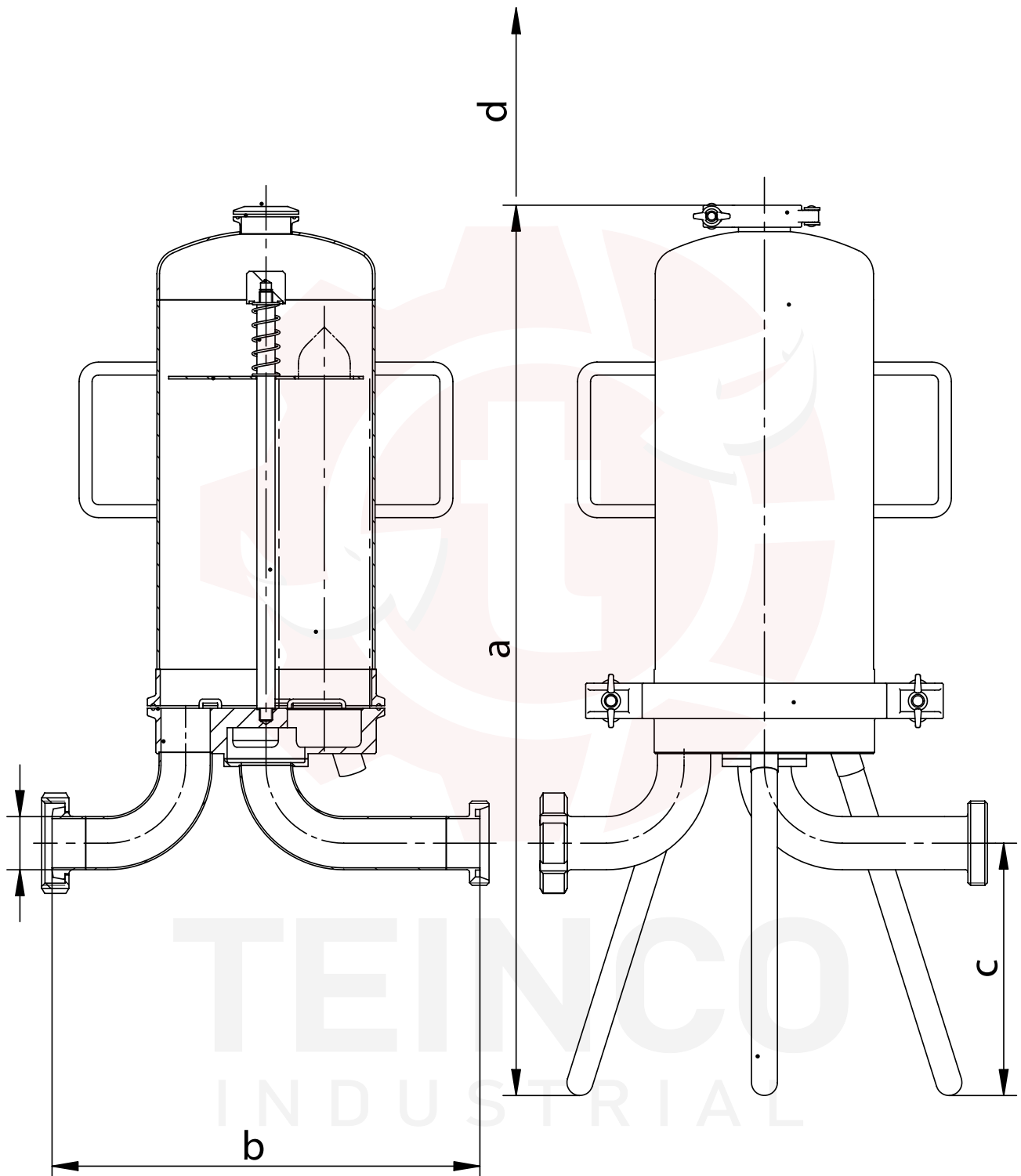
Maximum operating temperature:	
180 °C depending on filter element and gaskets	

Type PF-EG	Volume flow l/min	connect.	filter element		dimensions in mm				weight in kg
		milkpipe	size	qty.	A	B	C	D	
0003	3	DN 10	03/10	1	280	180	100	90	1,4
0012	12	DN 25	5/3 Code 7	1	375	250	106	150	3,9
0025	25	DN 25	10/3 Code 7	1	505	250	106	280	4,8
0050	50	DN 25	20/3 Code 7	1	765	250	106	580	6,1
0075	75	DN 25	30/3 Code 7	1	1025	250	106	850	7,4
0080	75	DN 40	10/3 Code 7	3	690	330	194	280	14,1
0150	150	DN 40	20/3 Code 7	3	935	330	194	580	16,5
0225	225	DN 40	30/3 Code 7	3	1205	330	194	850	19,6
0250	250	DN 50	20/3 Code 7	5	965	400	168	580	20,6
0375	375	DN 50	30/3 Code 7	5	1215	400	168	850	23,6
0400	400	DN 65	20/3 Code 7	8	985	500	178	580	33,6
0600	600	DN 65	30/3 Code 7	8	1235	500	178	850	37,9

Volume flow refers to filter element types PP, PP100, SM with water at 20 °C.

Type PF-EG	Volume flow l/min	connect.	filter element		dimensions in mm				weight in kg
		Clamp	size	qty.	A	B	C	D	
0012P	12	DN 25	5/3 Code 7	1	375	250	106	150	3,8
0025P	25	DN 25	10/3 Code 7	1	505	250	106	280	4,6
0050P	50	DN 25	20/3 Code 7	1	765	250	106	580	5,9
0075P	75	DN 25	30/3 Code 7	1	1025	250	106	850	7,2
0150P	150	DN 40	20/3 Code 7	3	935	330	194	580	15,9
0225P	225	DN 40	30/3 Code 7	3	1205	330	194	850	18,2
0250P	250	DN 50	20/3 Code 7	5	965	400	168	580	19,9
0375P	375	DN 50	30/3 Code 7	5	1215	400	168	850	23,1

PF-EG stainless steel housing



Technical Alternations reserved.



ultrafilter gmbh

Otto-Hahn-Str. 1 • 40721 Hilden • Germany
Tel: +49 (0) 21 03.33 36 13 • Fax +49 (0) 21 03.33 36 36
e-Mail: info@ultra-filter.de • www.ultra-filter.de