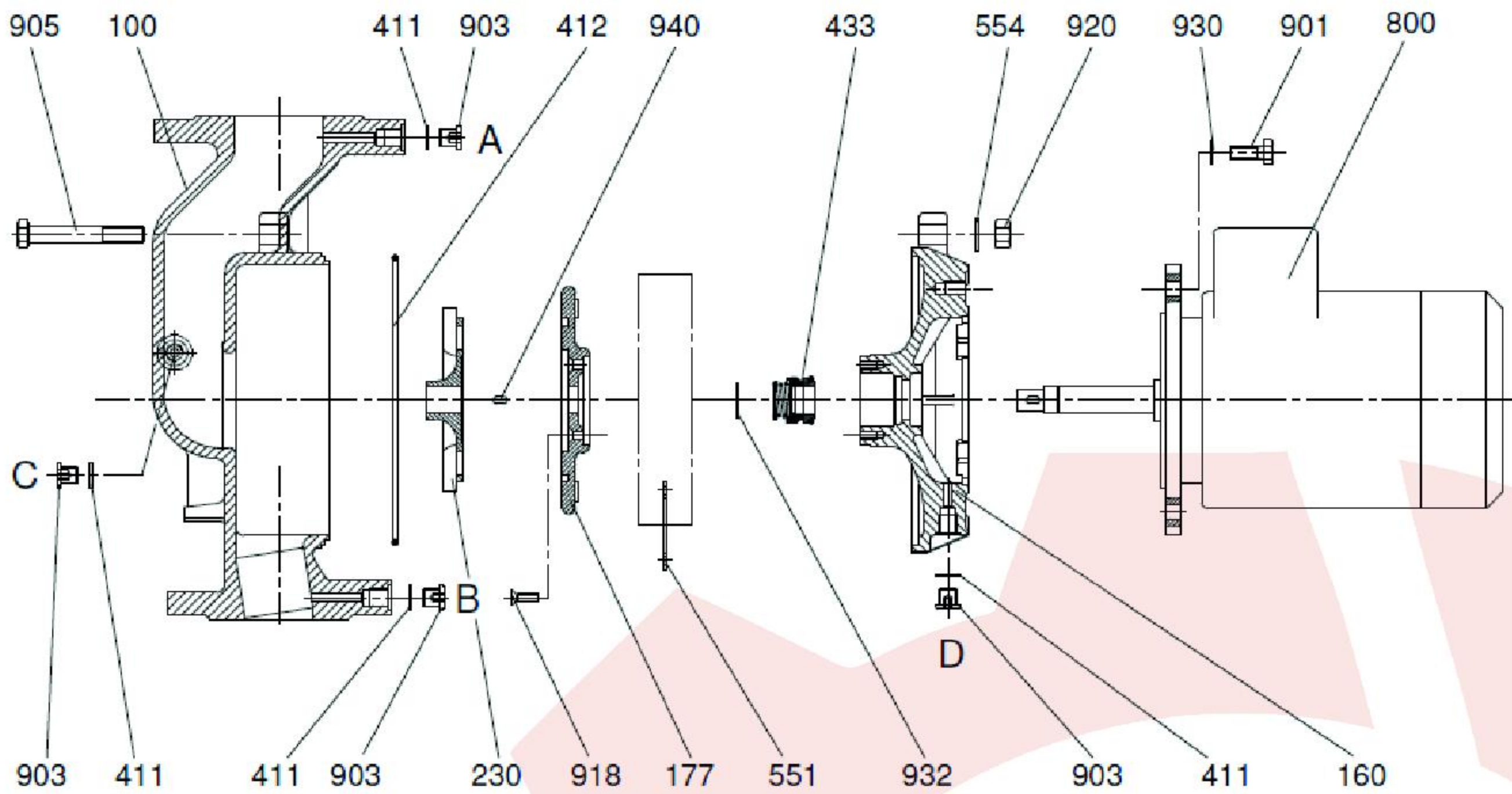
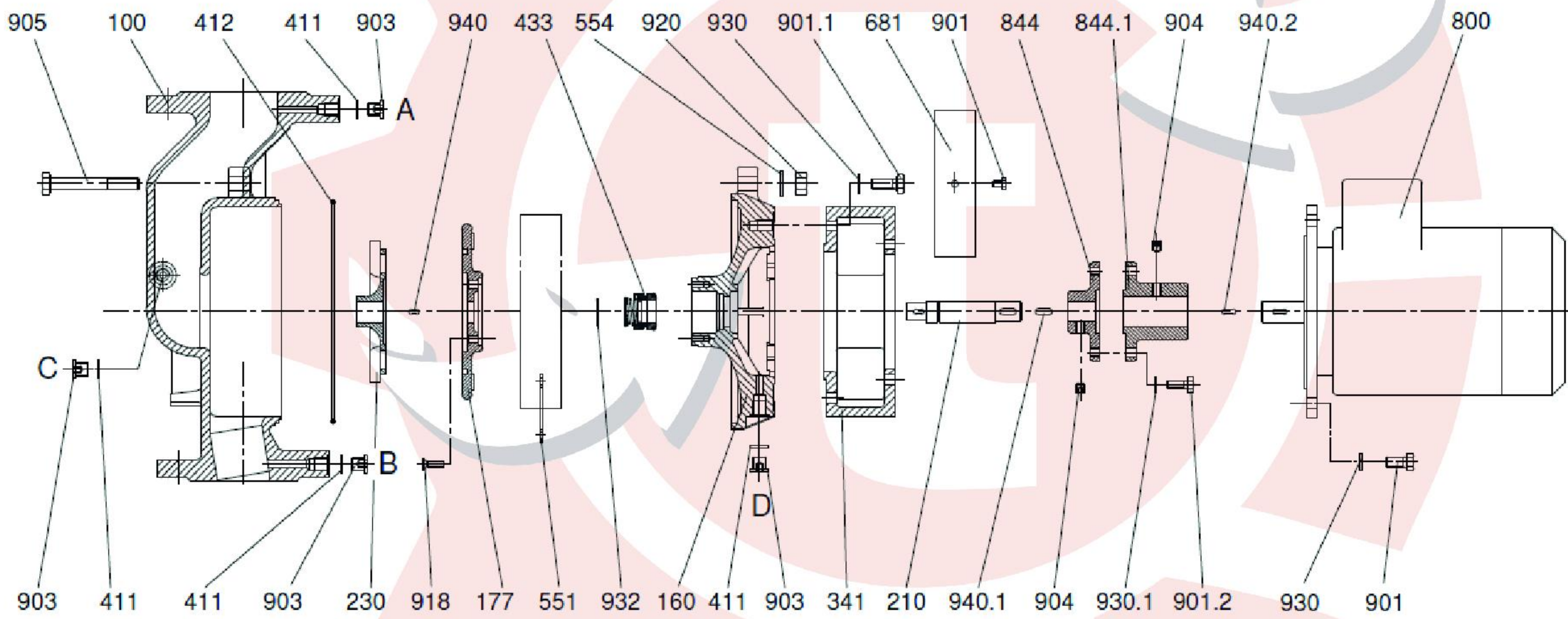


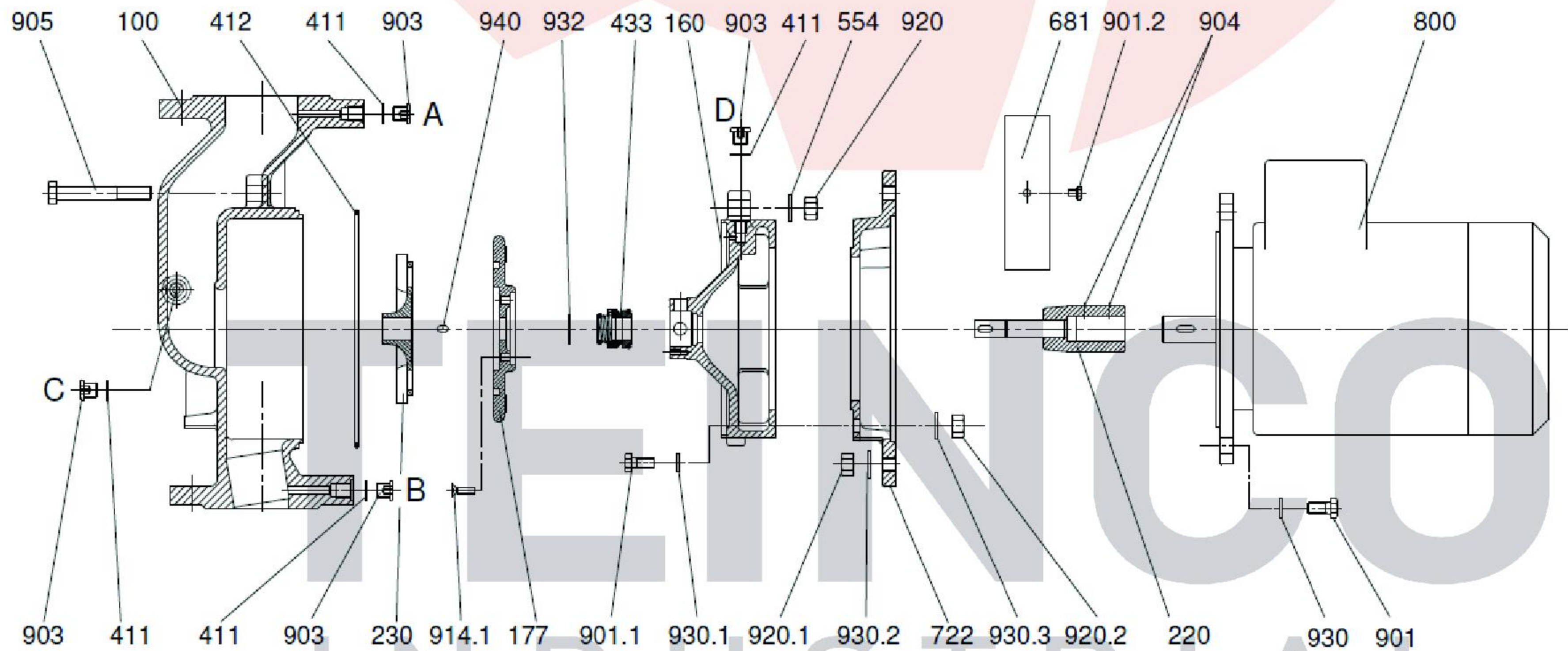
LUB 40 · LUB 65 · LUB 80



LUBL 40



LUBLS 80



Part no.	Designation	Part no.	Designation
100	casing	722	intermediate flange
160	cover	800	motor
177	sealing chamber	844/.1	coupling half
210	shaft	901/.1+.2	hexagon screw
220	stab shaft	903	screwed plug
230	impeller	904/.1	hexagon socket set screw
341	lantern	905	tie bolt
411	joint ring	914.1	hexagon socket head cap
412	o-ring	918	slotted countersunk head screw
433	mechanical seal	920/.1/.2	nut
551	disc spacer	930/.1-.2	tooth lock washer
554	washer	932	circlip
681	coupling guard	940/.1+.2	key

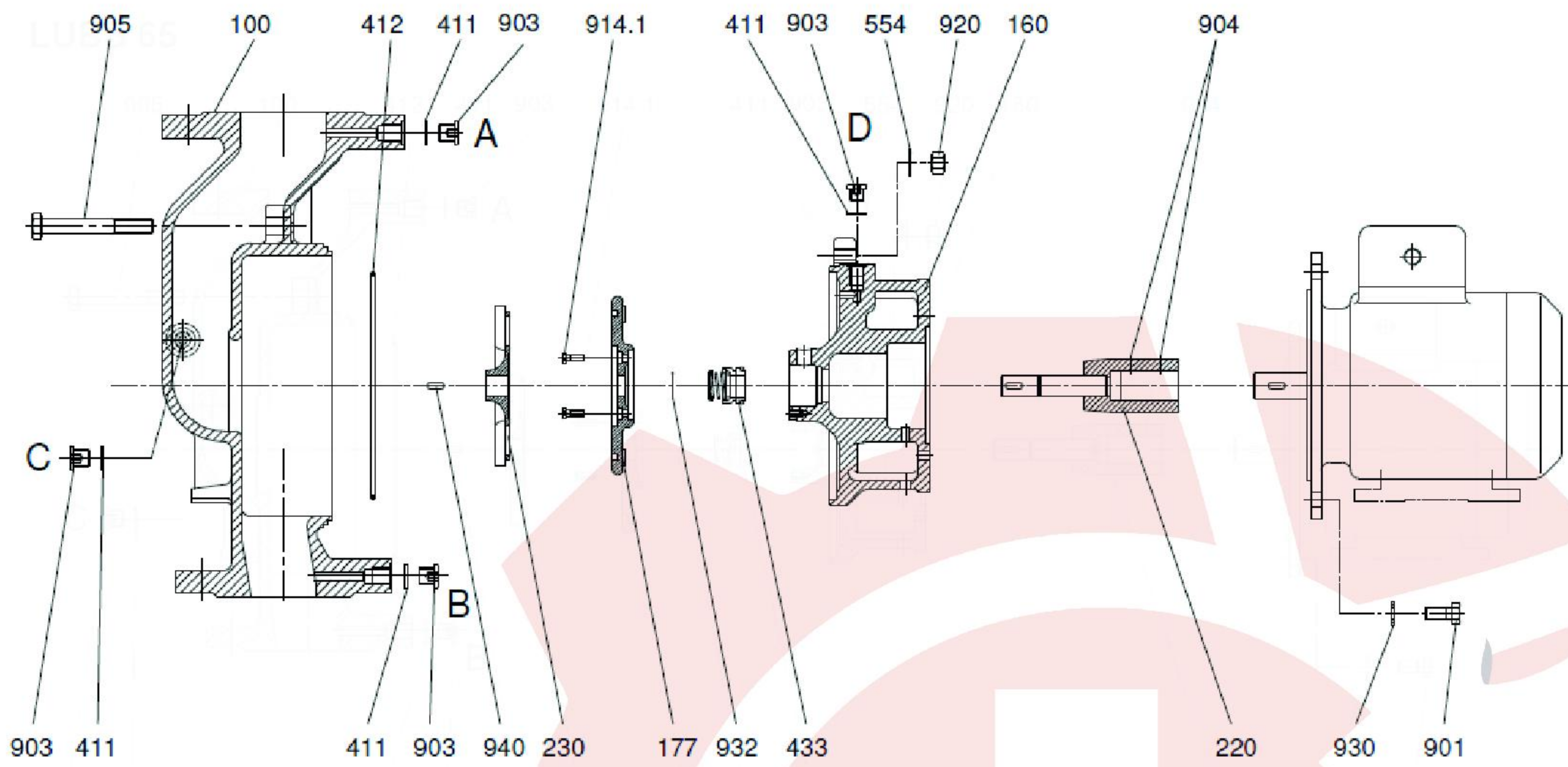
A: Screwed plug G1/4 for vent and manometer connection
 B: Screwed plug G1/4 for drain
 C: Screwed plug G1/4 for manometer connection
 D: Screwed plug G1/4 for vent

When ordering spare parts, please indicate serial no., type no. and parts no. by all means.

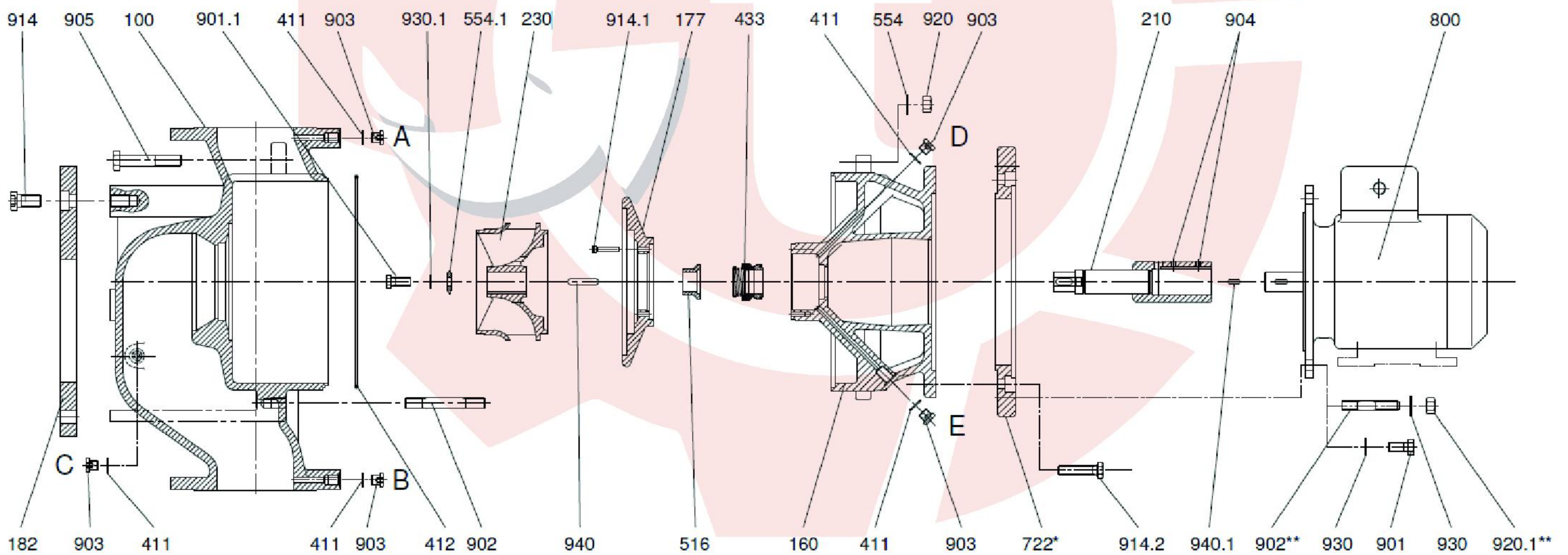
When ordering spare parts, please indicate serial no., type no. and parts no. by all means.

Pump View and List of Spare Parts

LUBS 65



LUBS 100



- A: Screwed plug G1/4 for vent and manometer connection
- B: Screwed plug G1/4 for drain
- C: Screwed plug G1/4 for manometer connection
- D: Screwed plug G1/4 for leakage drain
- E: Screwed plug G1/4 for drain

Part no.	Designation	Part no.	Designation
100	casing	800	motor
160	cover	901/.1	hexagon screw
177	sealing chamber	902**	stud
182	foot	903	screwed plug
210	shaft with disc type coupling	904	hexagon socket set screw
230	impeller	905	tie bolt
411	joint ring	914/.1-2	hexagon socket head cap screw
412	o-ring	920	nut
433	mechanical seal	920.1**	nut
516	shaft sleeve for mechanical seal	930/.1	tooth lock washer
554/.1	washer	940/.1	key
722*	intermediate flange		

A When ordering spare parts, please indicate serial no., type no. and parts no. by all means.

* LUBS 100 from 11,0 kW

** LUBS 100 only 11,0 kW to 18,5 kW

When ordering spare parts, please indicate serial no., type no. and parts no. by all means.

EDUR-Pumpenfabrik Eduard Redlien GmbH & Co. KG · Edisonstr.33 · 24145 Kiel – Germany · Telefon (0431) 68 98 –68 · Fax (0431) 68 98 –800